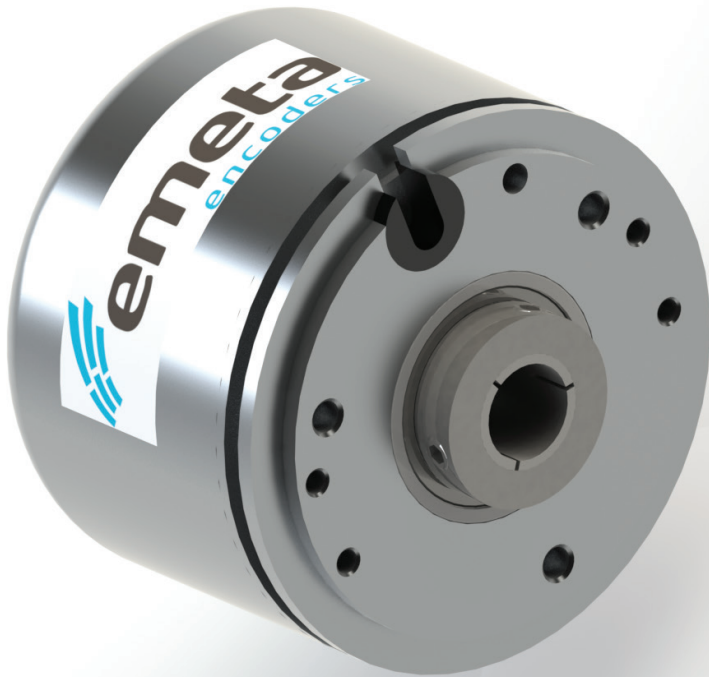


MA216 - SERIES



HEAVY DUTY INCREMENTAL ENCODER Ø 58 MM

Encoder with synchroflange, rotation stopp, 3 mountingholes M4

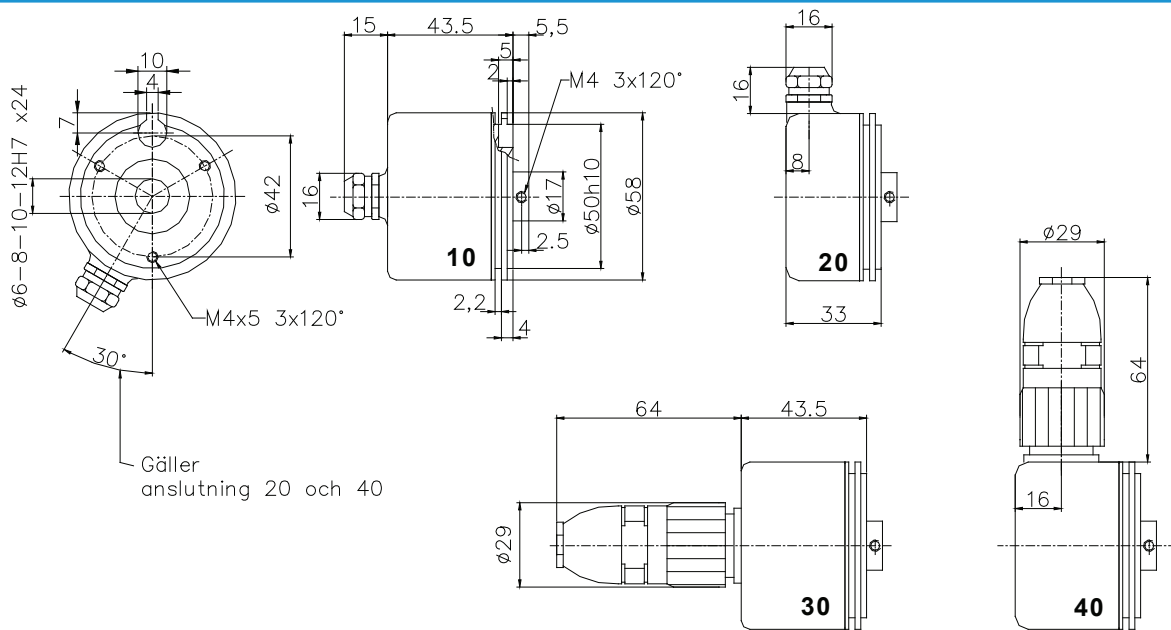
- Ø 58 mm
- 6, 8, 10 or 12 mm semi hollow shaft
- Enlarged sturdy bearings
- Short circuit proof
- Dust and splash proof IP65
- Standard 5V Power Supply, 300KHz
 2 Square Wave Signals
 Marker Pulse, Inverted Signals and Sense
- Option Customization upon request



*Flexible and durable
encoder for demanding
applications*



Conforms to european EMC directive 89/336/EEC standards:
EN61000-6-4 emission in industrial environments,
EN61000-6-2 immunity in industrial environments

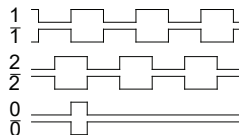
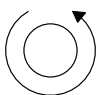


ELECTRICAL SPECIFICATION, STANDARD

Supply voltage	Vcc 5V
Current consumption	Typical 20 mA without load
Output circuit	Linedriver, TTL Compatible
Low level output volt.	Max < 0,5 V at 20 mA load and 20°C
High level output volt.	Min > Vcc -1V at 20mA load and 20°C
Short circuit protected	Yes
Polarity protected	No
Transient protected	Yes
Max load	70 mA

OUTPUT SIGNALS, STANDARD

CCW rotation viewed from shaft end



SIGNAL ACCURACY

Dividing error max	±50 el°
Channel separation	90 ±25 el°
Max frequency	300 kHz
Operating temperature	-40° to +80°C

MECHANICAL SPECIFICATION

Housing	Aluminum, electrically conductive for increased interference protection
Sealing	IP65 dust and splash proof
Bearings	Permanently greased
Bearing load at 1 000 rpm:	
Radial	110 N Gives 50 000 hrs bearing life
Axial	70 N
Max rpm	6 000 (12 000)
Vibration	20g 20-2000 Hz
Chock	200g @ 11 ms
Weight	200 gr (without cable)

CONNECTIONS

- 10. Axial cable, 1 m
- 20. Radial cable, 1 m
- 30. Axial 12-pin male connector CON-FM12P
- 40. Radial 12-pin male connector CON-FM12P
- 70. Axial cable 1 m with male connector CON-CF12P
- 80. Radial cable 1 m with male connector CON-CF12P

FUNCTION

	Cable 10-20	Conn 30-40	70-80
1	Brown	5	5
2	Grey	8	8
0	Red	3	3
1 inv	Green	6	6
2 inv	Yellow	1	1
0 inv	Black	4	4
+V	Brown/Green	12	12
0V	White/Green	10	10
+V sens	Blue	2	2
0V sens	White	11	11
Gnd	Screen	Chassi	9

MATING CONNECTORS

- For 30 and 40, CON-CF12S female connector
- For 70 and 80, CON-CM12S female connector

ORDERING CODE

Model	MA216	10	1000	1	X
Shaft 6,8,10 or 12mm					
Pulse rate 1-5000					
Connection					
X= meter cable					



Skogsvägen 1, SE-645 34 Strängnäs, Sweden
 Tel: +46 152 33 11 90. Fax: +46 152 33 11 91
 E-mail: info@emeta.se
 www.emetaencoders.com